

ASSEMBLY GUIDE

DP-150e Deluxe Upright Digital Piano



EASY ASSEMBLY GUIDE

IF YOU HAVE ANY QUESTIONS OR PROBLEMS
PLEASE CALL OUR TOLL FREE HELPLINE

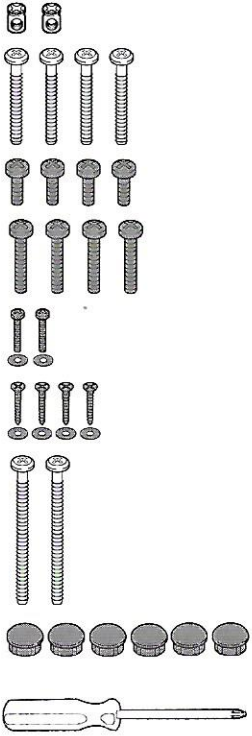
888-998-9848

DO NOT RETURN TO THE STORE

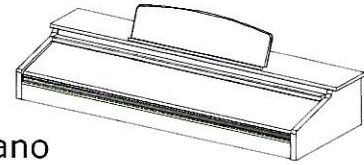
Artesia

Unboxing Your Piano

What's Included



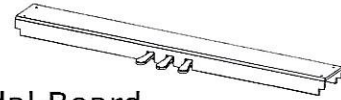
- Cylindrical Nuts (A) x 2
- Piano Body Bolts (B) x 4
- Piano Base Bolts (C) x 4
- Pedal Board Bolts (D) x 4
- Back Panel Bolts (E) x 2
- Back Panel Screws (F) x 4
- Leg Bolts (G) x 2
- Plastic Caps (H) x 6
- Phillips Screwdriver



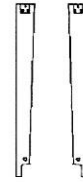
Piano



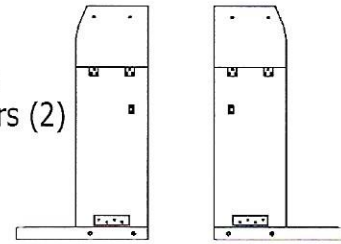
Back Panel



Pedal Board



Leg Fronts (2)



Leg Rears (2)

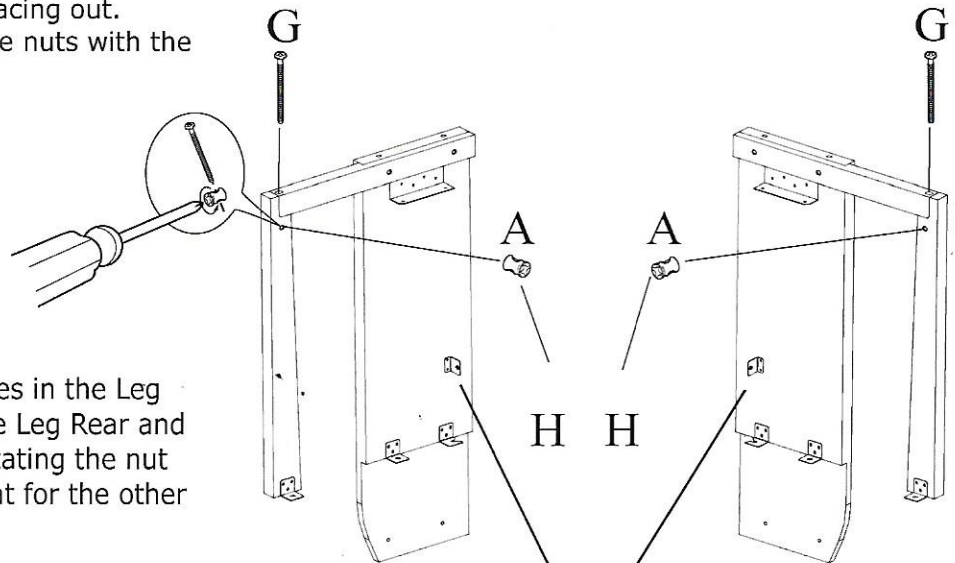
Not pictured:
Documentation
USB cable
Audio Connection Cable
Power Adapter

1. Assembling the Stand Legs

Place the two Cylindrical Nuts (A) into the holes in the Stand Leg Fronts, with the Phillips slo facing out. Use a screwdriver to align the threads in the nuts with the openings on the bottom of the Leg Fronts.

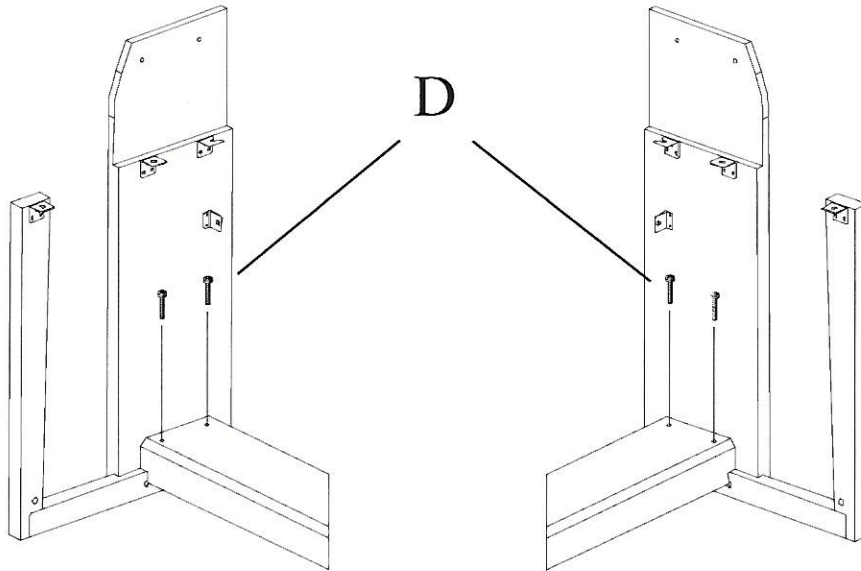
Align the holes in the Leg Fronts to the holes in the Leg Rears. Thread one Leg Bolt (G) through the Leg Rear and into the cylindrical nut in the Leg Front, rotating the nut to align if needed. Firmly tighten and repeat for the other side.

Cover the holes in the Leg Fronts using two Plastic Caps (H).



Back Panel Bracket

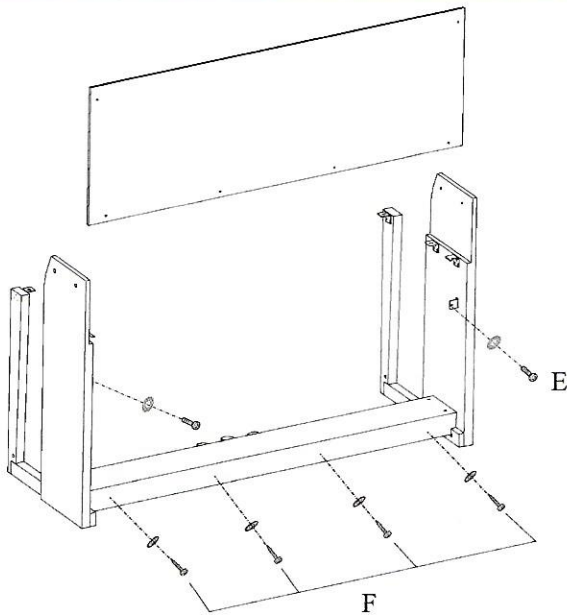
2. Attaching the Pedal Board to the Stand Legs



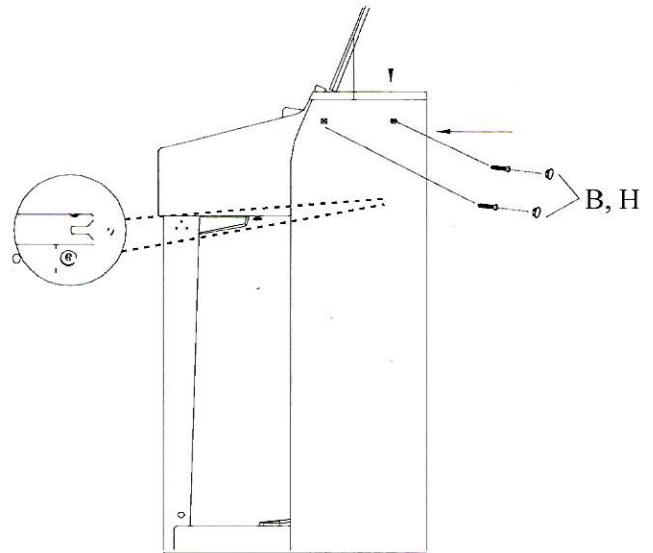
Starting with the right Stand Leg, align the holes in the Pedal Board with the holes in the Pedal Board Bracket as shown. Make sure that the pedals are facing towards the front of the Stand Legs.

Thread two Pedal Board Bolts (D) through the Pedal Board and into the bracket. Repeat with the left Stand Leg and tighten all bolts fully.

3. Attaching the Back Panel and Piano Body



Using two Back Panel Bolts (E) with washers, and four Back Panel Screws (F) with washers, attach the Back Panel to the stand. Please note that the pedal board is not predrilled for the Back Panel Screws, and they must be driven in manually.



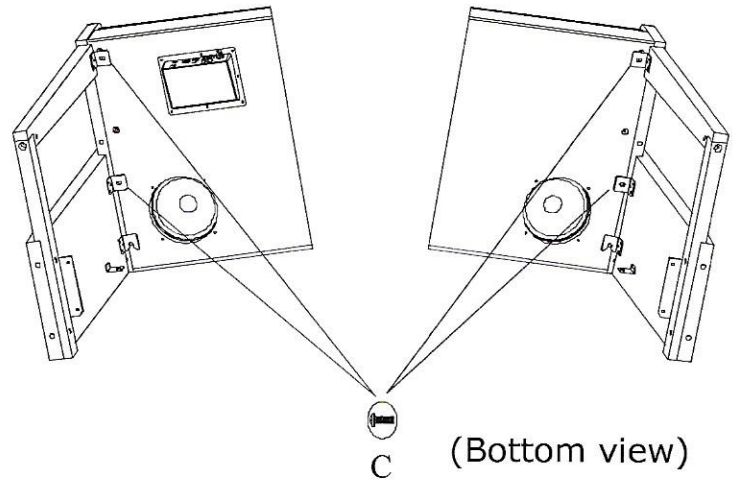
Lift the piano onto the stand and slide forwards, pushing the guide rods on the bottom of the piano into the slots on the piano legs, as shown below. Thread two Piano Body Bolts (B) through each Stand Leg into the Piano Body. Tighten and cover using four Plastic Caps (H).

PLEASE NOTE

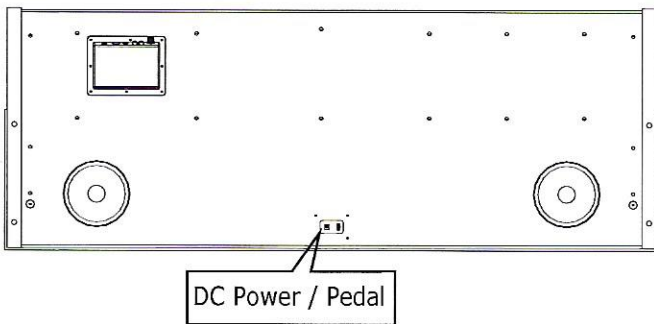
When lifting the piano onto its stand, be careful not to catch/trap hands or fingers.

4. Attaching the Piano Body Continued

Finish attaching the piano to the stand by using the four Piano Body Bolts (C) to attach the bottom of the piano to its stand.

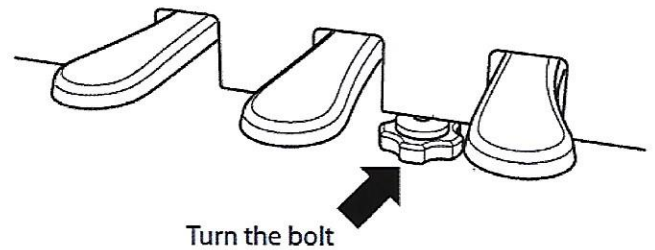


5. Final Steps



Bottom Rear of the Piano

Attach the Power Cord and Pedal Cable into their connectors on the bottom of the piano as shown



Turn the Pedal Support Bolt beneath the pedals counter-clockwise until the bolt firmly rests on the floor.

If you have any questions about your piano please contact us
toll free at **888-998-9848**

Artesia

Virgin (VMI) is the Parent Company of Artesia Pianos
Virgin Musical Instrument Company
P.O. BOX 2908
LA MESA, CA 91943

info@virginmusicalinstruments.com
www.virginmusicalinstruments.com